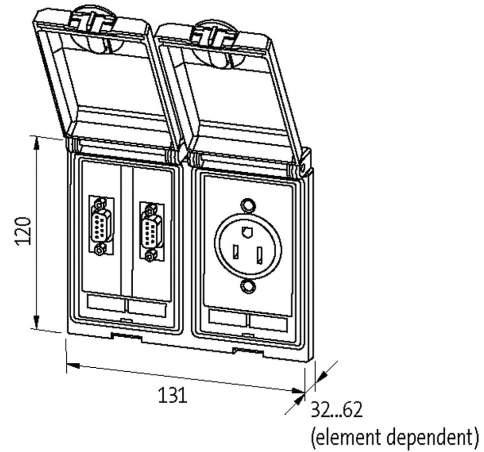


Modlink MSDD-set: Frame 4000-68123-0000000,
insert 4000-68000-1400000 + 4000-68000-0010000

Illustration





Product may differ from Image

Frame

suitable for mounting with wall thickness	1...5 mm
Protection	IP65
Housing	Zinc die-casting, with surface finishing
Temperature range	-10...+60 °C (storage temperature -25...+60 °C)

SUB-D9

Operating voltage	48 V AC/DC
Operating voltage (UL Rating)	max. 30 V AC/42.4 V DC
Operating current	3 A
Operating current (UL Rating)	max. 175 mA
No. of poles	9-pole
Connection front side	SUB-D (female)
Connection rear side	SUB-D (male)
Locking of ports	UNC 4...40 bolt

RJ45

Operating voltage (UL Rating)	max. 30 V AC/42.4 V DC
Operating current (UL Rating)	max. 175 mA
Connection front side	RJ45
Connection rear side	RJ45
Locking of ports	Snap In
Specification	CAT5e, Class D, 100 MHz, (EN 50173-1)

Shielding plate

Connection	Threaded hole M4
Tightening torque	0.9 Nm ±0.1

USB

Operating voltage	48 V AC/DC
-------------------	------------

Operating voltage (UL Rating)	42.4 V DC
Operating current	max. 500 mA
Locking of ports	Snap In
Specification	USB: 2.0 (max. 480 Mbit/s)

Germany (VDE)

Operating voltage	250 V AC
Operating current	16 A
No. of poles	2 + PE
Connection	Screw terminals: max. 2× 6 mm ² (AWG 10)
LED display	yellow

Commercial data

country of origin	CZ
customs tariff number	85366990
EAN	4048879033923
eClass	27189217
Packaging unit	1